

SINGER
400W2

LIST OF PARTS



MACHINE No. 400w2

THE SINGER MANUFACTURING COMPANY

INDEX

	Page
Accessories.....	12
Binders.....	13
Bobbin Holder.....	15
Bobbin Winder.....	12, 16
Corder.....	17
Finger Guard.....	17
Fittings.....	25
Hemmers.....	17
Knee Lifter.....	13
Machine No. 400w2.....	5
Miscellaneous Parts.....	23
Numerical List of Parts.....	31
Piping Attachment.....	20
Presser Feet.....	21
Presser Foot Extensions.....	22
Puller Feed.....	23
Thread Unwinder.....	24

From the Library of Diamond Needle Corp.

INSTRUCTIONS FOR ORDERING

In ordering from this list, use ONLY the PART number in the FIRST column.

The number stamped on a Sewing Machine Part is the number of the Single Part only, except when the part includes Set Screws, Clamping Screws, Studs and Rollers Spun on, Small Wires riveted, or Parts soldered together, etc., which it is necessary to furnish in combination.

Every combination of parts sent out has its specific number which, although not stamped on Parts (except in above case), must be used when ordering the combination.

Each number always indicates the SAME PART in whatever list it appears, or for whatever Machine.

The letters after some of the numbers indicate the style of finish only, as follows:

- A. Hardened, Polished, Nickel Plated and Buffed.
- B. Polished, Nickel Plated and Buffed.
- C. Hardened only.
- D. Polished only.
- E. Soft, not polished.
- F. Hardened and Polished.
- H. Blued.
- J. Nickel Plated only.
- R. Merlized.
- X. Black Oxide.
- XC. Hardened and Black Oxide.
- Y. Black Nickel only.

These letters MUST BE USED when they appear in the list and AFTER the number, as in the list.

In this series:

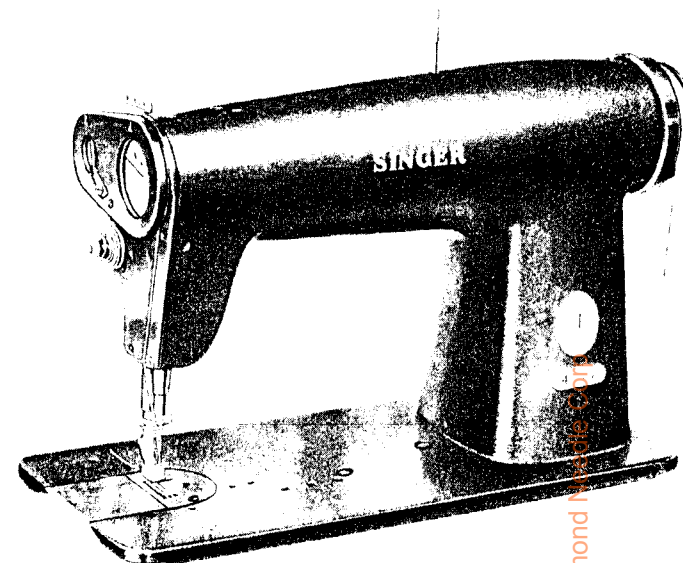
200001 to 201500 and 350001 to 351500 are Screw Numbers.
 201501 to 201800 and 351501 to 351800 are Nut Numbers.
 201801 to 202000 and 351801 to 352000 are Roller Numbers.
 202001 to 350000 are Numbers of Machine Parts.

The figures in the second column refer only to the plate in which the illustration of the part is shown and are NOT TO BE USED in ordering.

Two or more numbers over a cut indicate that the difference between such parts is not visible in an illustration.

Parts marked with an asterisk (*) are furnished when repairs are made at the factory.

LIST OF PARTS COMPLETE FOR



MACHINE No. 400w2

DOUBLE ROTARY DISC TAKE-UP.
HIGH SPEED.

SINGLE NEEDLE. LOCK STITCH. DROP FEED.

FOR STITCHING MEDIUM AND MEDIUM HEAVY
WEIGHT FABRICS.

No.	Plate	Name
*270001	-----	Arm
270002	18308	" Cover Plate (back)
200041X	18308	" " " Screw (2)
204235	18308	" Position Pin (2)
200004E	18308	" Screw (3)
202005	18308	" " Washer (3)
*270084	-----	" Shaft
270098	18301	" " 270084 with 200333C, 200378C and 270099
270004	18301	Arm Shaft Ball Bearing (back)
270005	18301	" " " " (front)
224103	18301	" " Connection Belt
270006	18301	" " " " Pulley with 200363C, 200439C and two 202253

From the Library of: Diamond Historical Corp.

No.	Plate	Name
200439C	18301	Arm Shaft Connection Belt Pulley Position Screw
200363C	18301	Arm Shaft Connection Belt Pulley Set Screw
202253	18301	" " " " " Spring Flange
270101	18301	Balance Wheel (belt groove 2-1/8 in.diam.) with two 200354C
270103	18301	Balance Wheel 270101 with 270004,270102 and two 200582H
270106	18301	Balance Wheel V belt groove (outside diam. of belt groove 2.9 in.) with two 200354C
270107	18301	Balance Wheel 270106 with 270004,270102 and two 200582H
270102	18301	Balance Wheel Cap
200582H	18301	" " " " Screw
Note: Balance Wheel 270103 is furnished with this machine unless otherwise specified on order.		
200354C	18301	Balance Wheel Set Screw
*270008	-----	Bed
270009	18308	" Slide
270011	18307	Face Plate
200583H	18307	" " Screw (6)
143030	18305	Feed Bar
270012	18305	" " Center (2)
200394C	18305	" " " " Set Screw
52266	18305	" " Slide Block
52267	18305	" " " " 52266 with 125060
*125060	18305	" " " " Stud
127087	18319	" Dog, 19 teeth (16 teeth to the inch)
50117E	18319	" " Screw (2)
270013	18305	" Driving Connection
270014	18305	" " " 270013 with 270016
270015	18305	" " " Crank with 200040E
200040E	18305	" " " " Pinch Screw
200545C	18305	" " " Hinge Screw
201522E	18305	" " " " " Nut
270016	18305	" " " Needle Bearing
270017	18317	" " Eccentric
270018	18317	" " " Adjusting Disc
248415	18317	" " " " " Spring
270111	18317	" " " " " "
Collar with 201220C		
201220C	18317	Feed Driving Eccentric Adjusting Disc Spring Collar Position Screw
240231	18317	Feed Driving Eccentric Friction Gib
200369C	18317	" " " " " Ad-justing Screw
350101C	18317	Feed Driving Eccentric Friction Gib Ad-justing Screw Set Screw
270020	18317	Feed Driving Flange with 200333C,200346C, two each 200369C and 350101C
200333C	18317	Feed Driving Flange Position Screw

No.	Plate	Name
200346C	18317	Feed Driving Flange Set Screw
270021	18305	" " " " Rock Shaft with two 200394C
270022	18305	" " " " Center (2)
350277C	18305	" " " " " Set Screw (2)
270013	18305	" Lifting Connection
270014	18305	" " " 270013 with 270016
270015	18305	" " " Crank with 200040E
200040E	18305	" " " " Pinch Screw
200545C	18305	" " " Hinge Screw
201522E	18305	" " " " " Nut
270016	18305	" " " Needle Bearing
270023	18317	" " Eccentric with 200382C and 201220C
201220C	18317	Feed Lifting Eccentric Position Screw
200382C	18317	" " " " Set Screw
270024	18305	" " " Rock Shaft with 52267
270022	18305	" " " " " Center (2)
350277C	18305	" " " " " Set Screw (2)
270025	18317	" Regulating Stud
270026	18317	" " " Spring
240245	18317	" " " Retaining Spring
270045	18318	Knee Lifter Lifting Link
270046	18308	" " " " " Connection
200427C	18308	" " " " " Set Screw
Screw		
200293C	18318	Knee Lifter Lifting Link Hinge Screw
270094	18308	" " " " Rod
270048	18308	" " " " " Connection
200434C	18308	" " " " " Set Screw
270049	18308	" " " Rock Shaft with 200427C and 200434C
270108	18318	Needle Bar
270109	18318	" " 270108 with 51229D,127245 and 127246
270110	18318	Needle Bar Bushing (lower)
270052	18318	" " " " (upper)
200326C	18318	" " " " " Set Screw
270053	18318	" " " Connecting Link
270054	18318	" " " " " 270053 with 270043
270055	18318	Needle Bar Connecting Link Guide Block
200054E	18318	" " " " " " " Screw (2)
270056	18318	Needle Bar Connecting Link Hinge Stud with 210983
200374C	18301	Needle Bar Connecting Link Hinge Stud Set Screw
270043	18318	Needle Bar Connecting Link Needle Bearing

No.	Plate	Name
270100	18318	Needle Bar Connecting Link Thrust Washer
270057	18318	" " " Stud with 200086C and 202330
202330	18318	Needle Bar Connecting Stud Oil Packing (wick)
200086C	18318	Needle Bar Connecting Stud Pinch Screw
*270099	-----	" " Crank with two 200374C
200333C	18301	" " " Position Screw
200378C	18301	" " " " Check Screw
270058	18318	" " Oiling Felt
127245	18318	" " Thread Guard
51229D	18318	" " " " Screw
127246	18318	" " Clamp with 140119F
140119F	18318	" " Screw
270059	18318	Presser Bar with 176J
270060	18318	" " Bushing
270061	18318	" " Lifter
350442C	18318	" " " Hinge Screw
270062	18318	" " Lifting Releasing Lever Bracket
270095	18318	" " " " " "
		Spring
270063	18318	Presser Bar Position Guide with 200196F and 350411C
350411C	18318	Presser Bar Position Guide Pinch Screw
270064	18308	" " Spring
350435C	18308	" " " Screw (pressure regu- lating)
270065	18308	Presser Bar Spring Stud
7298	18319	" Foot Hinge Pin
19334	18319	" " Plate
19335	18319	" " Shank
19336	18319	Presser Foot (hinged) complete, Nos. 7298, 19334 and 19335
176J	18318	Presser Foot Screw
270066	18307	Rotary Take-up (large)
210983	18318	" " " Position Pin
401D	18307	" " " Screw (2)
270067	18302	" " (small) with 350418C
270068	18302	" " " Driving Shaft
270032	18302	" " " " " Ball Bearing (2)
270069	18302	Rotary Take-up (small) Driving Shaft Connection Belt
270070	18301	Rotary Take-up (small) Driving Shaft Driving Pulley with two each 200363C and 270071
200363C	18301	Rotary Take-up (small) Driving Shaft Driving Pulley Set Screw

No.	Plate	Name
270071	18301	Rotary Take-up (small) Driving Shaft Driving Pulley Spring Flange
270072	18302	Rotary Take-up (small) Driving Shaft Pulley with two 200382C
200382C	18302	Rotary Take-up (small) Driving Shaft Pulley Set Screw
270073	13302	Rotary Take-up (small) Hub Cover
350418C	18302	" " " Set Screw
270074	18302	" " " Thread Shearing Block
201253F	18302	" " " " " "
		Screw
270075	18307	Rotary Take-up Guard
200583H	18307	" " " Screw (2)
270027	18303	Rotating Hook with three 1253C
270028	18303	" " 270027 with 270083 and four 1053E
270029	18303	Rotating Hook 270028 with 40274, 127242 and three 1367E
270030	18303	Rotating Hook 270029 with 52237
270010	18303	" " Bobbin
52235	18303	" " " Case
52236	18303	" " " " 52235 with 591F 1380E and 40394
40393	18303	Rotating Hook Bobbin Case Hinge, Nos. 2974, 40392 and 125320
127242	18303	Rotating Hook Bobbin Case Holder
52018	18303	" " " " " Position Bracket
200077D	18303	Rotating Hook Bobbin Case Holder Position Bracket Screw
40392	18303	Rotating Hook Bobbin Case Latch
125320	18303	" " " " " Lever
2974	18303	" " " " " Fulcrum Pin
2975	18303	Rotating Hook Bobbin Case Latch Spring
592E	18303	" " " " " Stop Screw
40394	18303	" " " " Tension Spring
591F	18303	" " " " " "
		Regulating Screw
1380E	18303	Rotating Hook Bobbin Case Tension Spring Screw
52237	18303	Rotating Hook Bobbin Case complete, Nos. 592E, 2975, 40393 and 52236
127241	18303	Rotating Hook Bobbin Case 52237 with 127242
270031	18317	Rotating Hook Driving Shaft
270032	18317	" " " " " Ball Bearing
270033	18317	" " " " " Bushing with 222598

From the library of: Diapang, Needle Corp

No.	Plate	Name
222598	18317	Rotating Hook Driving Shaft Bushing Oil Packing (wick)
200362C	18317	Rotating Hook Driving Shaft Bushing Set Screw
270034	18317	Rotating Hook Driving Shaft Connection Belt Pulley with 202253 and two 200070C
200070C	18317	Rotating Hook Driving Shaft Connection Belt Pulley Set Screw
202253	18317	Rotating Hook Driving Shaft Connection Belt Pulley Spring Flange
270035	18317	Rotating Hook Driving Shaft Gear (internal teeth) with 200382C and 201220C
201220C	18317	Rotating Hook Driving Shaft Gear Position Screw
200382C	18317	Rotating Hook Driving Shaft Gear Set Screw
270036	18317	" " " " Oil Lead Wire
270037	18317	" " Oil Feeder
201215D	18317	" " " " Screw (2)
270038	18308	" " " Reservoir Cover
270039	18308	" " " " Gasket
200041X	18308	" " " " Screw (6)
270082	18317	" " " " Oil Gauge
40274	18303	" " Section
1367E	18303	" " " Screw
1253C	18303	" " Set Screw
270040	18317	" " Shaft
270041	18317	" " " Bushing
270042	18317	" " " 270041 with two 270043
350277C	18317	Rotating Hook Shaft Bushing Set Screw
270043	18317	" " " Needle Bearing (2)
224390	18317	" " " Oil Packing (wick)
270044	18317	" " " Thrust Washer
270083	18303	" " Thread Guard
1053E	18303	" " " " Screw
2102	18307	Tension Disc
270076	18318	" Releaser (adjustable)
200132E	18318	" " Screw
32572	18307	" Releasing Disc
270086	18307	" " Pin
13710	18307	" Spring
50304C	18307	" Stud
52098	18307	" " 50304C with 1560C
50305C	18307	" " Set Screw
1560C	18307	" Thumb Nut
270087	18307	Tension complete, Nos. 13710, 32572, 52082, 52083, 52098, 270086 and two 2102
270096	18307	Thread Guide

No.	Plate	Name
210954	18307	Thread Guide (lower)
270077	18318	" " (on needle bar bushing)
200580H	18307	" " Screw
270079	18318	" Pull-off
200196E	18318	" " Set Screw
270080	18307	" Retainer
200355H	18307	" " Set Screw
270078	18307	" Shearing Finger
350447D	18307	" " " Screw
270115	18307	" " " " Washer
52082	18307	" Take-up Spring
52083	18307	" " " Regulator with 50305C
446C	18307	" " " " Set Screw
127106XC	18319	Throat Plate (large Needle Hole)
127107XC	-----	" " (small needle hole)

Note: Throat Plate 127106 is furnished with this Machine unless otherwise specified on order

691F 18319 Throat Plate Screw (2)

Genuine Singer Needles should be used in Singer Machines. These Needles and their Containers are marked with the Company's Trade Mark "SIMANCO." |

Needles in Containers marked "For Singer Machines" are not Singer made needles. 2

From the library of: Diamond Needle Co.

ACCESSORIES

No.	Plate	Name
50190W	18308	Attachment Thumb Screw
200459D	18308	" " "
26485	18310	Screw Driver (small)
270010	18303	Rotating Hook Bobbin (2)
228372	18311	Drip Pan with four 1 in.wire nails
25878	18310	Guide
16 x 231	18318	Needles three each,sizes 19 and 21
12361	18310	Machine Hinge Connection (2)
41400	18310	" Rest Pin (wood)
120342	18310	Oiler (copper plated) with 120343
120343	18310	" Spout (3-1/2 in.long)
259477	18310	Screw Driver 5 in.long

BOBBIN WINDER

(SWINGING AUTOMATIC, RIGHT HAND)

259428	18312	Brake (leather)
259429	18312	" Clamp
200113F	18312	" " Screw
225453	18312	Frame with 202277 and 225438
225454	18312	" Hinge Pin
202277	18312	" Oil Packing (wick)
225438	18312	" " Well Cap
225455	18312	" Spring
225456	18312	" " Plunger
225368	18312	Pulley with 200380C
200380C	18312	" Set Screw
225381	18312	Spindle
225444	18312	Stop Latch
200056E	18312	" " Screw
225458	18312	" " Thumb Lever
225459	18312	" " " " Hinge Stud
225459	18312	" " " " Joint Stud
202478	18312	" " Trip Lever
200299H	18312	" " " " Hinge Screw
225461	18312	Tension Bracket with 201499B
200082D	18312	" " Screw
228026	18312	" " " " Washer
2102	18312	" Disc
13710	18312	" Spring

No.	Plate	Name
201499B	18312	Tension Stud
201572B	18312	" " Thumb Nut
225462	18312	Bobbin Winder Tension Bracket complete, Nos.13710,201572B,225461 and two 2102
259430	18312	Bobbin Winder and Tension Bracket Base
259431	18312	Universal Bobbin Winder complete, Nos. 200056E,200082D,200113F,200299H,202478, 225368,225381,225444,225453 to 225456, 225458,225462,228026,259428 to 259430 two each 225459 and wood screws 3/4 in., No.12,R.H.B.

KNEE LIFTER

228360	18311	Rock Lever Bracket with 200347C and three wood screws 7/8 in.,No.12
228361	18311	Rock Lever Bracket 228360 with 228359, 228363,228367 and 228386
228359	18311	Rock Lever with two 350231C
228370	18311	" " Extension with 200529C
350231C	18311	" " " Set Screw
228363	18311	" " Hinge Pin
228364	18311	" " Knee Plate with 350231C
228388	18311	" " " " Arm
350231C	18311	" " " " Set Screw
350231C	18311	" " " " Set Screw
228365	18311	" " Rod
200529C	18311	" " " Set Screw
228386	18311	" " Spring
228367	18311	" " Stop Stud
200347C	18311	" " " " Set Screw
228371	18311	Knee Lifter Rock Lever complete, Nos.228361, 228364,228365,228370 and 228388

(Other Knee Lifter parts are listed with parts of machine head.)

BINDERS

BINDER (English)

FOR GAUGES UP TO 3/16 INCH

121444	23226	Feed Dog,13 teeth (16 teeth to the inch)
25721	23226	Folder
207F	23226	" Screw
7071	23226	" " Washer
25983	23226	Presser Foot

BINDERS

No.	Plate	Name
25722	23226	Ribbon Tension
190D	23226	" " Screw
7071	23226	" " Washer
121445XC	23226	Throat Plate
26250	23226	Binder complete, Nos. 190D, 207F, 25721, 25722, 25983, 121444, 121445XC and two 7071

BINDERS

BINDER (English)

FOR HEAVY WORK

12370	18320	Feed Dog, 15 teeth (16 teeth to the inch)
28334	18320	Folder
193D	18320	" Screw
7071	18320	" Washer
28676	18320	Presser Foot
28337	18320	Ribbon Tension
233J	18320	" Screw
28775XC	18320	Throat Plate
28776	18320	Binder complete, Nos. 193D, 7071, 12370, 28334, 28337, 28676, 28775XC and two 233J

BINDERS ON SHANK

BINDER (Transverse) ON SHANK

FOR FOLDED OR UNFOLDED BIAS BINDING

35208	23228	Binder on Shank to turn in both edges, for bias or straight binding, for skirts, wrappers, shirt waists, etc.
26603	23228	Feed Dog, 20 teeth (16 teeth to the inch), for 26605 and 26606
52055	23228	Presser Foot
26605XC	23228	Throat Plate (large needle hole), for 26603
26606XC	-----	" (small needle hole), for 26603

(WITH TAPE REEL)

FOR GENERAL WORK

FOR 3/4 IN., 7/8 IN. AND 1 IN. TAPE

121167	22919	Binder Folder on Shank
43525	22919	" Steady Pin
51097J	22919	" Thumb Screw
3146	22919	" Washer
121397	22919	Feed Dog, 18 teeth (16 teeth to the inch)

BINDERS

No.	Plate	Name
121169	22919	Presser Foot
121412	22919	Tape Reel Arm with 8879, 23263 and 120537
23263	22919	" " Steady Pin
51097J	22919	" " Thumb Screw
120536	22919	" " Disc with 120538 and 120539
120537	22919	" " Pin
8879	22919	" " Washer
120538	22919	" " Stud (wood)
120539	22919	" " Sleeve (brass)
121398XC	22919	Throat Plate with 43525
121168	22919	Binder (transverse) on Shank complete, Nos. 3146, 120536, 121167, 121169, 121397, 121398XC 121412 and two 51097J

BINDER (Transverse) ON SHANK

FOR FOLDED OR UNFOLDED BIAS BINDING

(WITH TAPE REEL)

FOR GENERAL WORK

FOR 3/4 IN., 7/8 IN. AND 1 IN. TAPE

121732	23229	Binder (transverse)
121735	23229	" Releasing Lever
724F	23229	" " Hinge Screw
121736	23229	" " Spring
192349	23229	" " Position Stud
1443J	23229	" Screw
121733	23229	" Throw-out Arm with 192349
121734	23229	" " Bracket Rivet
940F	23229	" " Hinge Screw
35610	23229	" Washer
121738	23229	Feed Dog, 17 teeth (16 teeth to the inch)
121169	23229	Presser Foot
120536	23229	Tape Reel Disc with 120538 and 120539
120538	23229	" " Stud (wood)
120539	23229	" " Sleeve (brass)
120740	23229	" Pin
121739XC	23229	Throat Plate with two 121734
121737	23229	Binder (transverse) with Throw-out Arm complete, Nos. 724F, 940F, 35610, 120536, 120740, 121169, 121732, 121733, 121735, 121736, 121738, 121739XC and two 1443J

BOBBIN HOLDER

225434	19316	Bobbin Holder
--------	-------	---------------

BOBBIN WINDER

(SWINGING AUTOMATIC, RIGHT HAND)
FOR "V" BELT DRIVE

No.	Plate	Name
259428	18312	Brake (leather)
259429	18312	" Clamp
200113F	18312	" " Screw
225453	18312	Frame with 202277 and 225438
225454	18312	" Hinge Pin
202277	18312	" Oil Packing (wick)
225438	18312	" " Well Cap
225455	18312	" Spring
225456	18312	" " Plunger
259461	18312	Pulley with 200380C
200380C	18312	" Set Screw
225381	18312	Spindle
225444	18312	Stop Latch
200056E	18312	" " Screw
225458	18312	" " Thumb Lever
225459	18312	" " " " Hinge Stud
225459	18312	" " " " Joint Stud
202478	18312	" " Trip Lever
200299H	18312	" " " " Hinge Screw
225461	18312	Tension Bracket with 201499B
200082D	18312	" " Screw
228026	18312	" " " Washer
2102	18312	" Disc
13710	18312	" Spring
201499B	18312	" Stud
201572B	18312	" " Thumb Nut
225462	18312	Bobbin Winder Tension Bracket complete, Nos. 13710, 201572B, 225461 and two 2102
259430	18312	Bobbin Winder and Tension Bracket Base
259462	18312	Universal Bobbin Winder complete, Nos. 200056E, 200082D, 200113F, 200299H, 202478, 225381, 225444, 225453 to 225456, 225458, 225462, 228026, 259428 to 259430, 259461, two each 225459 and wood screws 3/4 in., No. 12, R. H. B.

CORDER (Adjustable)

FOR SHORT TURNS ON CUSHIONS
WHEN ORDERING STATE SIZE OR NUMBER OF
CORDS TO THE INCH

No.	Plate	Name
26795	23228	Cord Guide
26796	23228	" " Arm
1044D	23228	" " " Hinge Screw
120206	23228	" " Bed with 457C
457C	23228	" " " Leveling Screw
190D	23228	" " Screw
120207	23228	Corder complete, Nos. 190D, 1044D, 26795, 26796 and 120206
121446	23228	Feed Dog, spiked teeth, 13 teeth (10 teeth to the inch), for 121447
120208	23228	Presser Foot (grooved)
121447XC	23228	Throat Plate, for 121446

FINGER GUARD

259082	18320	Finger Guard
259083	18320	" " Bracket
201152E	18320	" " Screw
259084	18320	Finger Guard complete, Nos. 201152E, 259082 and 259083

HEMMERS

HEMMERS (Foot)

225423	18316	Hemmer (foot), for 5/64 in. hem
120938	23230	" " " 3/32 in. hem
225421	18316	" " " 3/32 in. hem
225424	18316	" " " 1/8 in. hem
120803	23230	" " " 1/8 in. hem
225425	18316	" " " 9/64 in. hem
120804	23230	" " " 5/32 in. hem
225422	18316	" " " 5/32 in. hem
120805	23230	" " " 3/16 in. hem
225426	18316	" " " 3/16 in. hem
36122	23230	" " " 7/32 in. hem
225427	18316	" " " 7/32 in. hem
120806	23230	" " " 1/4 in. hem

No.	Plate	Name
225428	18316	Hemmer (foot), for 1/4 in. hem
120807	23230	" " " 5/16 in. hem
121761	23230	" " " 1/8 in. hem, for hemming shirts
121762	23230	Hemmer (foot) for 5/32 in. hem
121760	23230	" " " 1/8 in. hem, for hemming shirts
121758	23230	Feed Dog, 13 teeth (16 teeth to the inch), for 121759
121759XC	23230	Throat Plate (large needle hole), for 121758
35710	23230	Hemmer (foot), for 3/32 in. hem, with guide on bottom to the right of needle hole
35682	23230	Hemmer (foot), for 1/8 in. hem, with guide on bottom to the right of needle hole
36524	23230	Hemmer (foot), for 5/32 in. hem, with guide on bottom to the right of needle hole
35997	23230	Hemmer (foot), for 3/16 in. hem, with guide on bottom to the right of needle hole
36309	23230	Hemmer (foot), for 7/32 in. hem, with guide on bottom to the right of needle hole
36072	23230	Hemmer (foot), for 1/4 in. hem, with guide on bottom to the right of needle hole
120898	23230	Hemmer (foot), for 1/16 in. to 1/8 in. hem, for China Silk, etc.
120911	23230	Hemmer (foot), for 5/32 in. to 1/4 in. hem, for China Silk, etc.
36413	23230	Hemmer (foot), plain bottom, for 1/16 in. hem
36414	23230	Hemmer (foot), plain bottom, for 3/32 in. hem
36480	23230	Hemmer (foot), plain bottom, for 5/32 in. hem
36416	23230	Hemmer (foot), plain bottom, for 3/16 in. hem
120837	23230	Hemmer (foot), plain bottom, for 1/8 in. hem slotted, for lace

HEMMERS ON SHANK

20163	23231	Feed Dog, 16 teeth (16 teeth to the inch) for 1/16 in. stitch, for 20123
35926	23231	Hemmer
590J	23231	" Adjusting Screw
1443B	23231	" Screw
35927	23231	" Shank

No.	Plate	Name
35540	23231	Hemmer on Shank complete, with right hand lower guide, for lace, Nos. 1443B, 35926, 35927 and two 590J
62527	23231	Presser Foot Hinge Pin
40316	23231	" " Plate
40317	23231	" " Shank
40318	23231	Presser Foot (hinged) complete, for lace running, Nos. 40316, 40317 and 62527
20123XC	23231	Throat Plate, for 20163
26603	23231	Feed Dog, 20 teeth (16 teeth to the inch) for 26605 and 26606
35236	23231	Hemmer on Shank, for 7/16 in. hem
52055	23231	Presser Foot
26605XC	23231	Throat Plate (large needle hole), for 26603
26606XC	-----	" " (small needle hole), for 26603
26603	23232	Feed Dog, 20 teeth (16 teeth to the inch), for 26605 and 26606
28627	23232	Hemmer on Shank, for 1/8 in. to 5/8 in. gauges
28628	23232	Presser Foot, for 3/8 in. to 5/8 in. gauges
26605XC	23232	Throat Plate (large needle hole), for 26603
26606XC	-----	" " (small needle hole), for 26603
120991	23232	Hemmer on Shank, for 1/16 in. to 1/4 in. gauges
120367	23232	Hemmer on Shank, for handkerchief work

FOR HEMMING PILLOW CASES

26603	23233	Feed Dog, 20 teeth (16 teeth to the inch), for 26605 and 26606
121667	23233	Hemmer Scroll (lower) Spring
36696	23233	" " " " Lock Pin
337B	23233	" " " " Position Screw
121668	23233	" on Shank with 337B, 36696 and 121667, for 7/8 in. to 2 in. hem
121667	23233	Hemmer Scroll (lower) Spring
36696	23233	" " " " Lock Pin
337B	23233	" " " " Position Screw
121671	23233	" on Shank with 337B, 36696 and 121667, for 2-1/16 in. to 4 in. hem
35063	23233	Presser Foot
26605XC	23233	Throat Plate (large needle hole), for 26603
26606XC	-----	" " (small needle hole), for 26603

 from the library of: www.needle.com

FOR HEMMING SHEETS

No.	Plate	Name
52031	23234	Feed Dog, 19 teeth (22 teeth to the inch), for 52032 and 52033
259475	18314	Attachment Clamp
50190W	18314	" " Thumb Screw
36776	18314	Hemmer on Shank, for 3 in. hem
1499J	23234	" Screw
121672	23234	" on Shank
121673	23234	" Throw-out Arm with 35522
35522	23234	" " " Pin
121674	23234	Hemmer complete, on Throw-out Arm, for 1 in. hem, Nos.121672,121673 and two 1499J
1499J	23234	Hemmer Screw
121675	23234	" on Shank
121676	23234	" Throw-out Arm with 35522
35522	23234	" " " Pin
121677	23234	Hemmer complete, on Throw-out Arm, for 2 in. or 3 in. hem, Nos.121675,121676 and two 1499J
Note: When ordering No.121677 state width of hem		
121678	23234	Hemmer Tension Spring
121679	-----	Hemmer complete, for 1 in., 2 in. and 3 in. hem, Nos.24J,39026,121674,121677 and 121678
Note: When ordering No.121679, state width of hem		
24J	23234	Hemmer Hinge Screw
39026	23234	" " " Washer
121680	23234	Presser Foot
52032XC	18314	Throat Plate (large needle hole), for 52031
52033XC	23234	" " (small needle hole), for 52031

PIPING ATTACHMENT

44253	18315	Feed Dog, 16 teeth (16 teeth to the inch), for 44255 and 44256
120977	18315	Piping Attachment
1443J	18315	" " Screw
35245	18315	" " complete, for piping house dresses, Nos.1443J and 120977
52056	18315	Presser Foot
44256XC	18315	Throat Plate (large needle hole), for 44253
44255XC	-----	Throat Plate (small needle hole), for 44253

PRESSER FEET

No.	Plate	Name
36464	23236	Presser Foot Spring Guide
665J	23236	" " " " Screw
36465	23236	Presser Foot (right hand spring guide) with 665J and 36464, for 1/32 in. to 5/16 in. gauges
Note: When ordering No.36464 or No.36465, state required distance from edge of goods to seam.		
12335	23236	Presser Foot (narrow)
12435	23236	" " with 228J (with needle hole on right hand side)
228J	23236	Presser Foot Extension Screw
36714	23236	" " with 233D
36715	23236	" " Guide (right) with 36716
233D	23236	" " " Set Screw
36716	23236	" " " Stud
36717	23236	Presser Foot complete, with Adjustable Guide (right) Nos.36714 and 36715
36773	23236	Presser Foot, for braiding
35528	23236	" " (wide)
120828	23236	" " (single toe), for gathering, for fine work
121763	23236	Presser Foot with hemmer with Yielding Top Scroll
20343	23236	Presser Foot with guide on bottom to the right of needle hole
12462	23236	Presser Foot, for 1/8 in. to 1 in. gauges
12463	23236	" " with strip guide
36654	23236	" " for tucking shirt bosoms
40315	23236	" " " long stitch for general work
40322	23236	Presser Foot (narrow)
26276	23236	" " Hinge Pin
20133	23236	" " Plate
19223	23236	" " Shank
20134	23236	Presser Foot (hinged) complete, for 3/16 in. to 1/4 in. gauges, for collar and cuff work, Nos.19223,20133 and 26276
7298	23236	Presser Foot Hinge Pin
20360	23236	" " Plate
19335	23236	" " Shank
20361	23236	Presser Foot (hinged) plain bottom complete, Nos.7298,19335 and 20360

PRESSER FEET

WITH GRADUATED ADJUSTABLE GUIDES

No.	Plate	Name
35134	18320	Presser Foot with 36696
35002	18320	" " Extension
35003	18320	" " Graduated Adjustable Guide (long, left)
35004	18320	Presser Foot Graduated Adjustable Guide (long, right)
35005	18320	Presser Foot Graduated Adjustable Guide (short, right)
35006	18320	Presser Foot Graduated Adjustable Guide (short, right) Flush
35135	18320	Presser Foot Graduated Adjustable Guide Clamp
35136	18320	Presser Foot Graduated Adjustable Guide Clamp Lever
337B	18320	Presser Foot Graduated Adjustable Guide Clamp Screw
36696	18320	Presser Foot Graduated Adjustable Guide Clamp Steady Pin
35137	18320	Presser Foot with Extension and Graduated Adjustable Guides complete, Nos. 337B, 35002 to 35006 and 35134 to 35136

PRESSER FOOT EXTENSIONS

62527	23236	Presser Foot Hinge Pin
20155	23236	" " Plate
20156	23236	" " Shank
20157	23236	Presser Foot (hinged) complete, Nos. 228J, 20155, 20156 and 62527
26279	23236	Presser Foot Extension 1/16 inch
26280	23236	" " " 1/8 inch
26281	23236	" " " 1/4 inch
26282	23236	" " " 3/8 inch
26283	23236	" " " 1/2 inch
228J	23236	" " " Screw

MISCELLANEOUS PARTS

USED IN CONJUNCTION WITH THREAD UNWINDER

No.	Plate	Name
60913	17900	Spool Weight with 60914
60914	17900	" " Center Pin
225377	17900	" Wire, for small spools
27739	17900	Thread Cone (wood)
225390	17900	" " Holder
PULLER FEED		
259463	18313	Balance Wheel, belt grooves 2-1/8 and 1 in. diam., with 201346C and 350107C
259464	18313	Balance Wheel 259463 with 270004
259465	18313	" " belt grooves 2.9 in. outside diam., for 3/8 in. V belt and 1 in. bottom diam., for round belt, with 201346C and 350107C
259466	18313	Balance Wheel 259465 with 270004
350107C	18313	" " Position Screw
201346C	18313	" " Set Screw
259467	18313	Puller Feed Base with 200364C, 259061, two each 200902D and 205796
259055	18313	Puller Feed Base Block (wood)
200710	18313	" " " Bolt
9842R	18313	" " " Washer
225190	18313	" " Driving Belt size 1/4 in. diam. length 39-1/2 in., with 25128
25128	18313	Puller Feed Driving Belt Hook
237751	18313	" " " Gear with 200382C and 201220C
201220C	18313	Puller Feed Driving Gear Position Screw
200382C	18313	" " " Set Screw
259057	18313	" " " Pinion
200095B	18313	" " " Cap Screw
259468	18313	" " " Pulley (belt groove 4-1/4 in. diam.) with 200373C
200373C	18313	Puller Feed Driving Pulley Set Screw
259469	18313	" " " Shaft
259470	18313	" " " Collar with 201188C
201188C	18313	Puller Feed Driving Pulley Shaft Collar Set Screw
200364C	18313	Puller Feed Driving Pulley Shaft Set Screw
259471	18313	Puller Feed Roll and Shaft (lower) with 200364C

PULLER FEED

No.	Plate	Name
259470	18313	Puller Feed Roll and Shaft (lower) Collar with 201188C
201188C	18313	Puller Feed Roll and Shaft (lower) Collar Set Screw
200364C	18313	Puller Feed Roll and Shaft (lower) Extension Set Screw
259472	18313	Puller Feed Roll and Shaft (upper)
*259061	-----	" " " " " " Bearing
200902D	18313	" " " " " " Screw
205796	18313	Puller Feed Roll and Shaft (upper) Bearing Spring
259063	18313	Puller Feed Roll and Shaft Gear with 200394C
200394C	18313	Puller Feed Roll and Shaft Gear Set Screw
259064	18313	" " Work Guide (wood)
259474	18313	Puller Feed Device complete, Nos. 200095B, 225190, 237751, 259055, 259057, 259064, 259464, 259467 to 259469, 259471, 259472 two each 9842R, 200710, 259063 and 259470

Note: Balance Wheel No. 259466, for machines with V belt drive will be furnished with this complete in place of balance wheel No. 259464 if so specified on order.

THREAD UNWINDER

FOR TWO SPOOLS

225257	17900	Spool Rest (for two spools) (flat) with 201018C
150203	17900	Spool Rest Cushion (felt)
225388	17900	" " Rod
200383C	17900	" " " Set Screw
201018C	17900	" " " Set Screw
202490	17900	" Stand with 200383C
225391	17900	Thread Guide
201696J	17900	" " Lock Nut
225326	17900	" " Position Cup
225324	17900	" " Rod with 208E and 225322
208E	17900	" " " Screw
225322	17900	" " " Washer
225258	17900	Thread Unwinder (for two spools) complete, Nos. 201696J, 202490, 225257, 225324, 225326, 225388, two each 150203, 225391 and three wood screws 7/8 in., No. 12

FITTINGS

FOR BUTTON STAYS

No.	Plate	Name
26603	18315	Feed Dog, 20 teeth (16 teeth to the inch) for 26605 and 26606
121653	18315	Hemmer on Shank, for 9/16 in. hem
7298	18315	Presser Foot Hinge Pin
120143	18315	" " Plate
19335	18315	" " Shank
120144	18315	Presser Foot (hinged) complete, Nos. 7298, 19335 and 120143
26605XC	18315	Throat Plate (large needle hole), for 26603
26606XC	-----	Throat Plate (small needle hole), for 26603

FOR COLLAR WORK

(FIRST STITCHING)

20164	23219	Feed Dog, 16 teeth (16 teeth to the inch) for 1/8 in. stitch
52189	23219	Presser Foot (solid)
52190XC	23219	Throat Plate, for 20164

FOR COLLAR WORK

(SECOND STITCHING)

121646	23219	Feed Dog, 12 teeth (16 teeth to the inch) for 121649
121647	23219	Presser Foot with 121648 and two 337J for 3/16 in., 7/32 in., 1/4 in., 9/32 in. and 5/16 in. gauges
121648	23219	Presser Foot Edge Guide, for 3/16 in., 7/32 in., 1/4 in., 9/32 in. and 5/16 in. gauges
337J	23219	Presser Foot Edge Guide Screw
121649XC	23219	Throat Plate, for 121646

FOR COLLAR AND CUFF WORK

20163	23219	Feed Dog, 16 teeth (16 teeth to the inch) for 1/16 in. stitch
20164	23219	Feed Dog, 16 teeth (16 teeth to the inch) for 1/8 in. stitch
52188	23219	Presser Foot (solid), for cuff work
52189	23219	" " " " Collar work
20123XC	23219	Throat Plate, for 20163 and 20164

FOR CUFF WORK

No.	Plate	Name
20164	23220	Feed Dog, 16 teeth (16 teeth to the inch) for 1/8 in. stitch, for 52190
52188	23220	Presser Foot (solid)
52190XC	23220	Throat Plate, for 20164

FOR CURTAIN WORK

143165	23220	Feed Dog, 18 teeth (14 teeth to the inch)
26276	23220	Presser Foot Hinge Pin
143166	23220	" " Plate
143167	23220	" " Shank
52544	23220	" " Spring
143168	23220	Presser Foot (spring hinged) complete, Nos. 26276, 52544, 143166 and 143167
143169XC	23220	Throat Plate (large needle hole)

FOR GENERAL WORK

143174	23220	Feed Dog, 17 teeth (14 teeth to the inch), for 143175
143175XC	23220	Throat Plate (large needle hole), for 143174
52031	23221	Feed Dog, 19 teeth (22 teeth to the inch), for 52032 and 52033
62527	23221	Presser Foot Hinge Pin
24544	23221	" " Plate
24982	23221	" " Shank
26231	23221	" " Spring
24983	23221	Presser Foot (spring hinged) complete, Nos. 24544, 24982, 26231 and 62527
52032XC	-----	Throat Plate (large needle hole), for 52031
52033XC	23221	" " (small needle hole), for 52031
127229	23221	Feed Dog, 17 teeth (14 teeth to the inch), for 127238
62527	23221	Presser Foot Hinge Pin
127233	23221	" " Plate
52390	23221	" " Shank
26231	23221	" " Spring
127234	23221	Presser Foot (spring hinged) complete, Nos. 26231, 52390, 62527 and 127233

No.	Plate	Name
131256	23221	Presser Foot Hinge Pin
127257	23221	" " Plate
127258	23221	" " Shank
127259	23221	" " Thread Cutter
239E	23221	" " " " Screw
127260	23221	Presser Foot (hinged) complete with Thread Cutter, Nos. 239E, 127257 to 127259 and 131256
127238XC	23221	Throat Plate, for 127229
127087	23221	Feed Dog, 19 teeth (16 teeth to the inch) for 127106 and 127107
127106XC	23221	Throat Plate (large needle hole), for 127087
127107XC	-----	Throat Plate (small needle hole), for 127087
121446	23222	Feed Dog, spiked teeth, 13 teeth (10 teeth to the inch), for 20356 and 20357
20356XC	23222	Throat Plate (large needle hole), for 121446
20357XC	-----	Throat Plate (small needle hole), for 121446
44158	23222	Feed Dog, 15 teeth (14 teeth to the inch) for 44162
26276	23222	Presser Foot Hinge Pin
44159	23222	" " Plate
44160	23222	" " Shank
44161	23222	Presser Foot (hinged) complete, Nos. 26276, 44159 and 44160
44162XC	23222	Throat Plate, for 44158

QUILTING

270093	18320	Presser Bar Bushing (for use with Quilter 120485)
120479	18320	Quilter Guide (left)
120480	18320	" " (right)
120481	18320	" " Bracket
120482	18320	" " " 120481 with 120483 and two 209C
209C	18320	Quilter Guide Bracket Screw
120483	18320	" " Disengaging Sleeve
209C	18320	" " " " Set Screw
120484	18320	" " " " Spring
602D	18320	" " " " Screw
120485	18320	Quilter complete, Nos. 602D, 120479, 120480, 120482 and 120484

from the library of the Diamond Needle Co.

FOR SHIRT WORK

No.	Plate	Name
143170	23222	Feed Dog, 16 teeth (16 teeth to the inch) for 143171
143171XC	23222	Throat Plate (large needle hole), for 143170
20159	18316	Feed Dog, 16 teeth (16 teeth to the inch) for 20160
143172	18316	Feed Dog, 18 teeth (18 teeth to the inch) for 20160
143173	18316	Feed Dog, 20 teeth (20 teeth to the inch) for 20160
20160XC	18316	Throat Plate, for 20159, 143172 and 143173
26603	23224	Feed Dog, 20 teeth (16 teeth to the inch) for 26605 and 26606
7298	23224	Presser Foot Hinge Pin
19334	23224	" " Plate
19335	23224	" " Shank
19336	23224	Presser Foot (hinged) complete, Nos. 7298, 19334 and 19335
26605XC	23224	Throat Plate (large needle hole), for 26603
26606XC	-----	Throat Plate (small needle hole), for 26603

FOR SHOULDER JOININGS

26603	23224	Feed Dog, 20 teeth (16 teeth to the inch) for 26605 and 26606
121662	23224	Joining Attachment
121663	23224	Presser Foot
26605XC	23224	Throat Plate (large needle hole), for 26603
26606XC	-----	Throat Plate (small needle hole), for 26603

FOR SLEEVE PLACKETS (Facing)

121655	23225	Binder on Shank
26603	23225	Feed Dog, 20 teeth (16 teeth to the inch) for 26605 and 26606
121656	23225	Presser Foot
26605XC	23225	Throat Plate (large needle hole), for 26603
26606XC	-----	" " (small needle hole), for 26603

FOR TAILOR WORK

No.	Plate	Name
44252	23224	Feed Dog, 12 teeth (12 teeth to the inch) for 44255 and 44256
44253	23224	Feed Dog, 16 teeth (16 teeth to the inch) for 44255 and 44256
36574	23224	Presser Foot
36575	23224	" " 36574 with 36576 and two 50202J
36576	23224	Presser Foot Finger Guard
50202J	23224	" " " " Screw
44256XC	23224	Throat Plate (large needle hole), for 44252 and 44253
44255XC	-----	Throat Plate (small needle hole), for 44252 and 44253
44136	23225	Feed Dog, 15 teeth (16 teeth to the inch) for 44137
12142	23225	Presser Foot
20458	23225	" "
44137XC	23225	Throat Plate, for 44136
52462	23226	Feed Dog, 19 teeth (22 teeth to the inch) for 52463
52463XC	23226	Throat Plate, for 52462

FOR YOKING

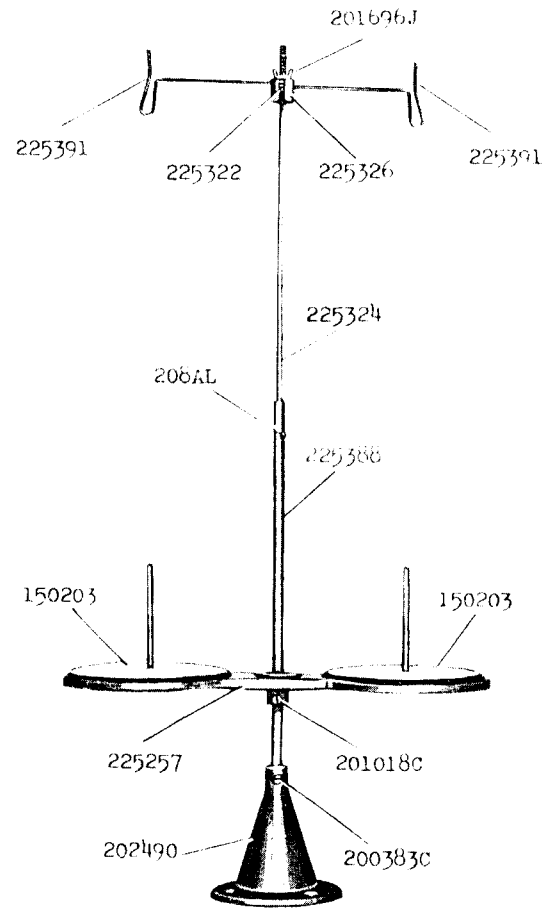
121658	23226	Edge Folder with Edge Guide on Shank
26603	23226	Feed Dog, 20 teeth (16 teeth to the inch) for 26605 and 26606
7298	23226	Presser Foot Hinge Pin
121659	23226	" " Plate
19223	23226	" " Shank
121660	23226	Presser Foot (hinged) complete, Nos. 7298, 19223 and 121659
26605XC	23226	Throat Plate (large needle hole), for 26603
26606XC	-----	" " (small needle hole), for 26603

Genuine Singer Needles should be used
in Singer Machines.
These Needles and their Containers
are marked with the
Company's Trade Mark "SIMANCO." 1

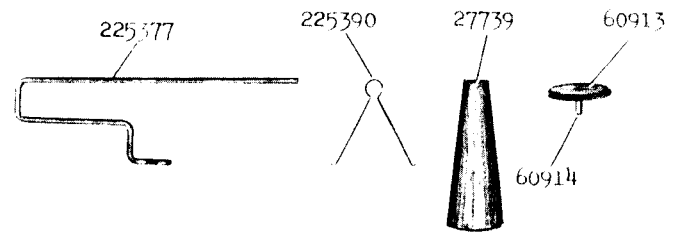
Needles in Containers marked
"For Singer Machines"
are not Singer made needles. 2

17900 - 1/6

225258



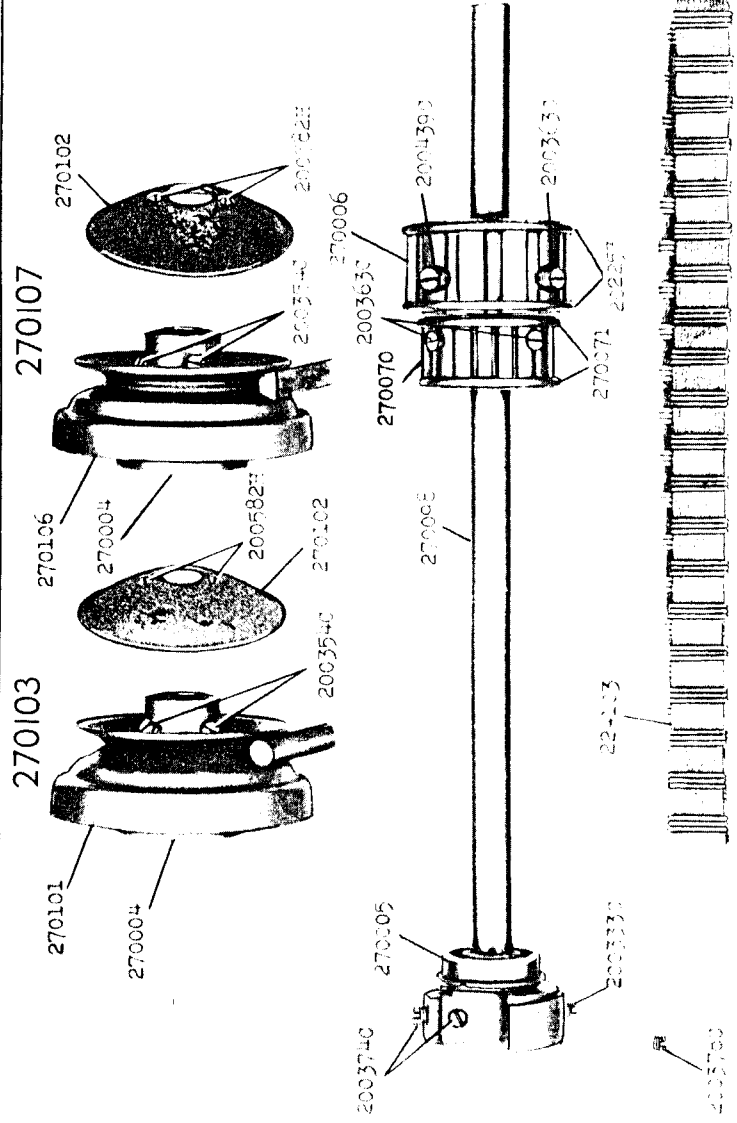
From the library of: Diamond Needle Corp



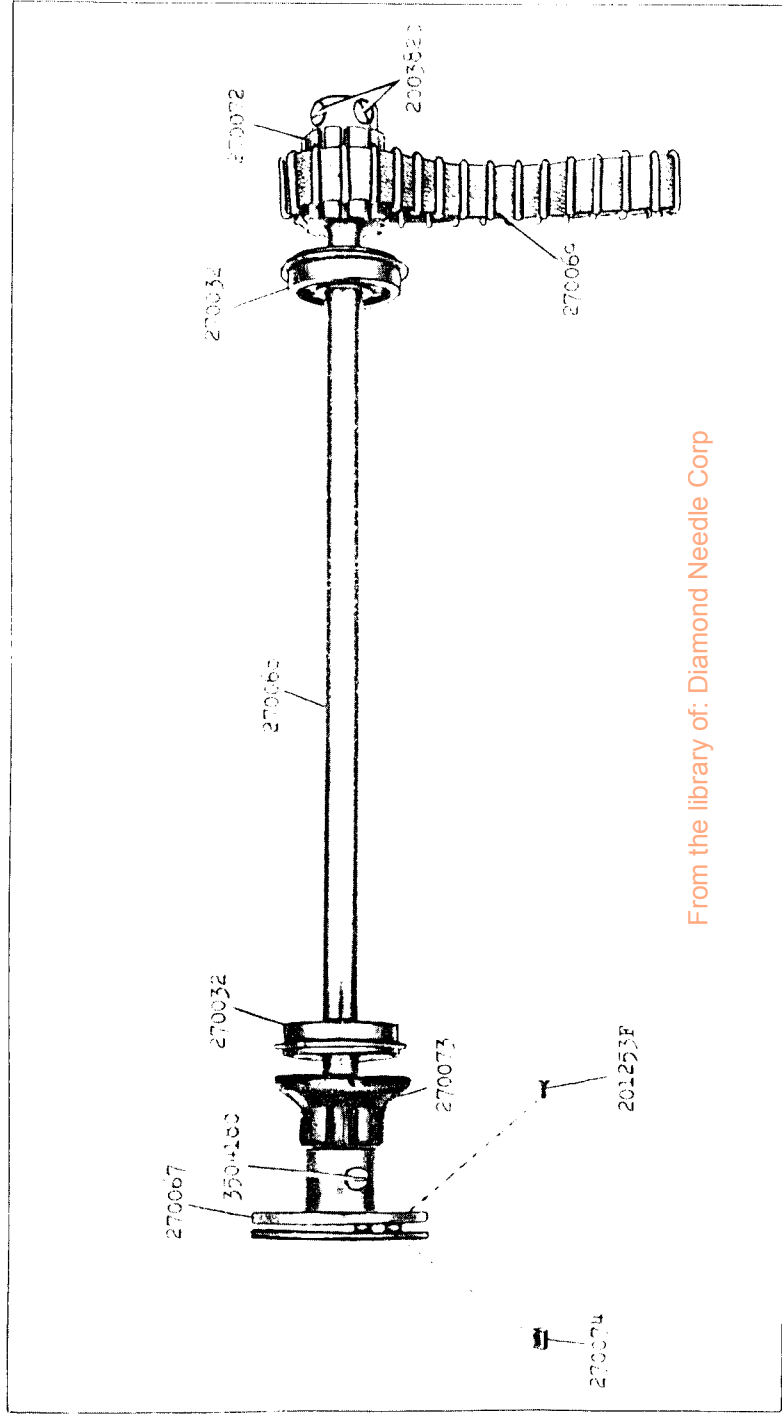
18301 - 3/8

270188

270188



18302 - 1/2



From the library of: Diamond Needle Corp

270946
270030
270029

127241

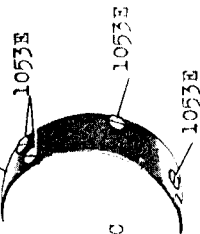
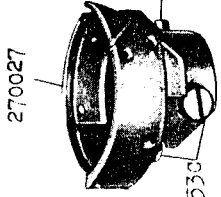
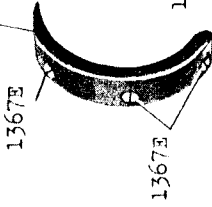
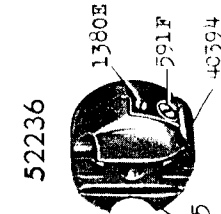
143046

52237

270028

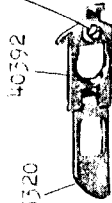
2975

52236



40393 5923

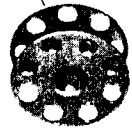
125320



40392

2974

270010



52018



200077D

350277C

270022

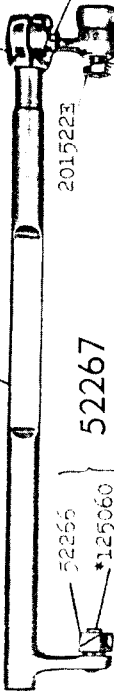


270024

52267

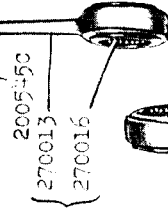
52255

125060



201522E

270014



200545C

270013

270016

270012

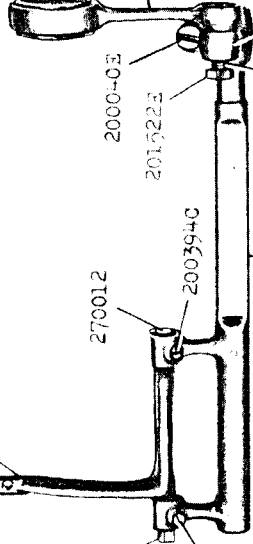
200394C

200040E

270016

270013

270014



200394C

270022

270022

350277C

350277C

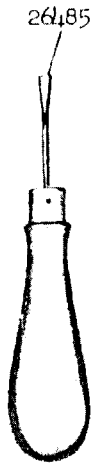
270021

200545C

270015

From the library of: Diamond Needle Corp

18310 - 1/2



26485

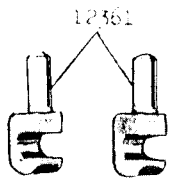


259477

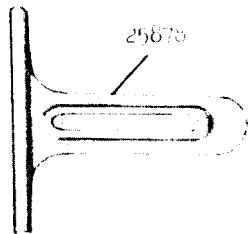
01409



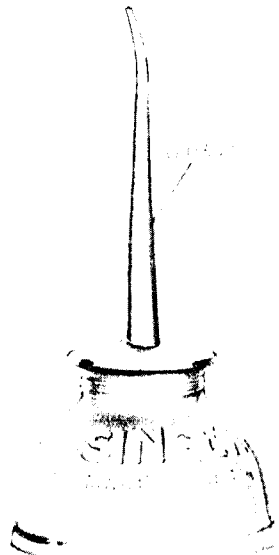
120342



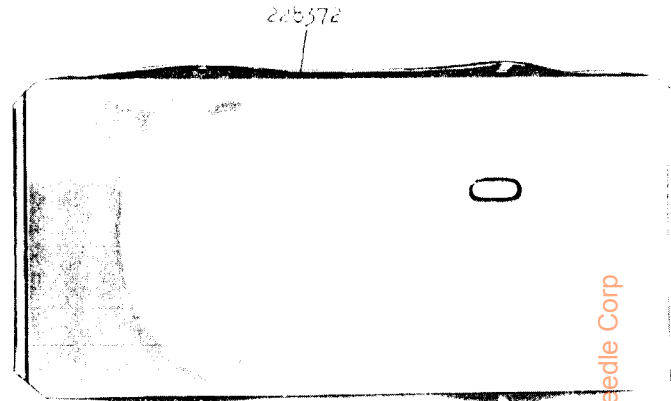
12361



25876

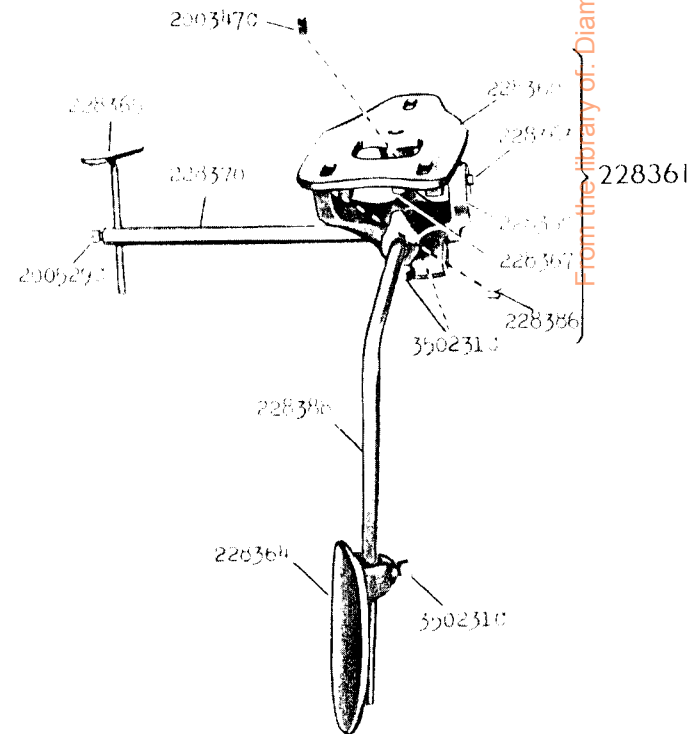


18311 - 1/4



228572

228371



2003470

228460

228370

2005290

228370

228400

228370

228370

228367

228366

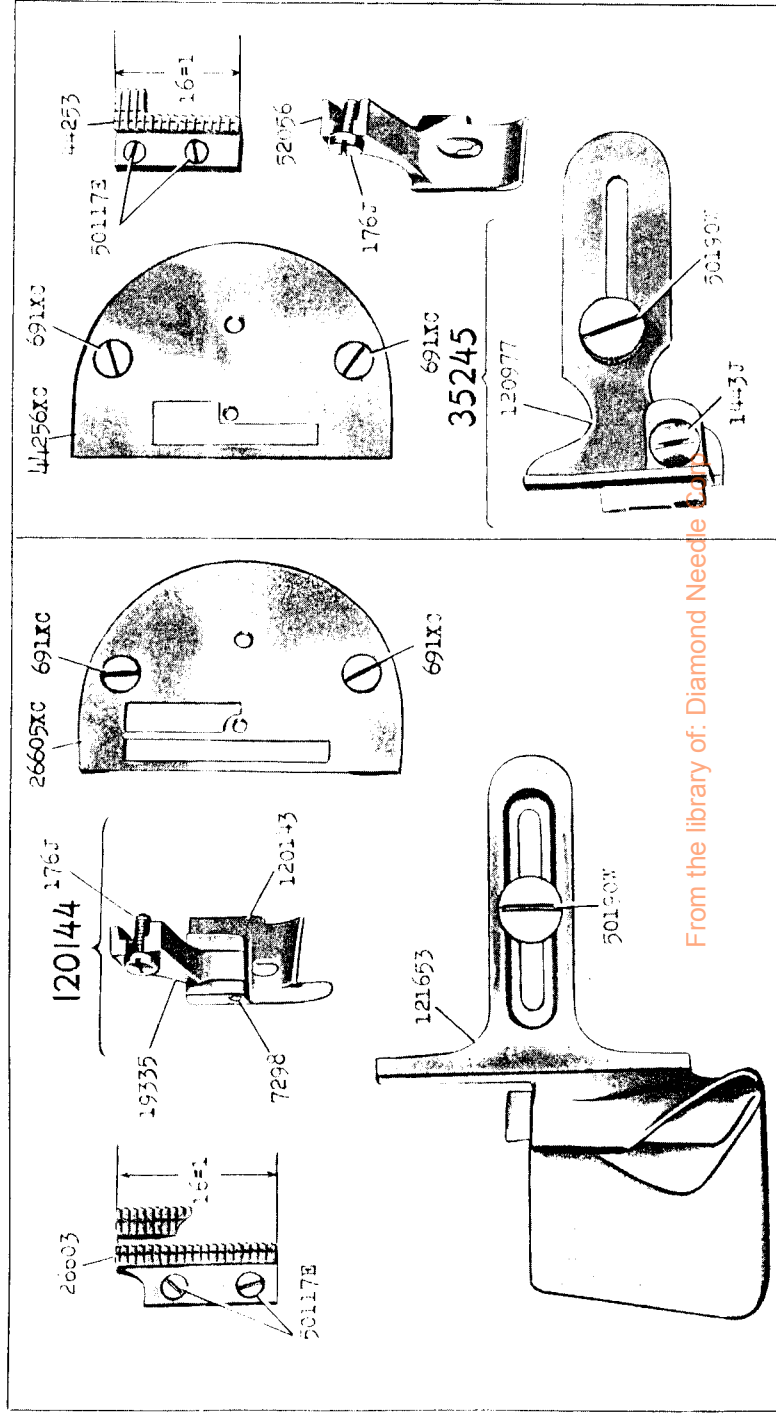
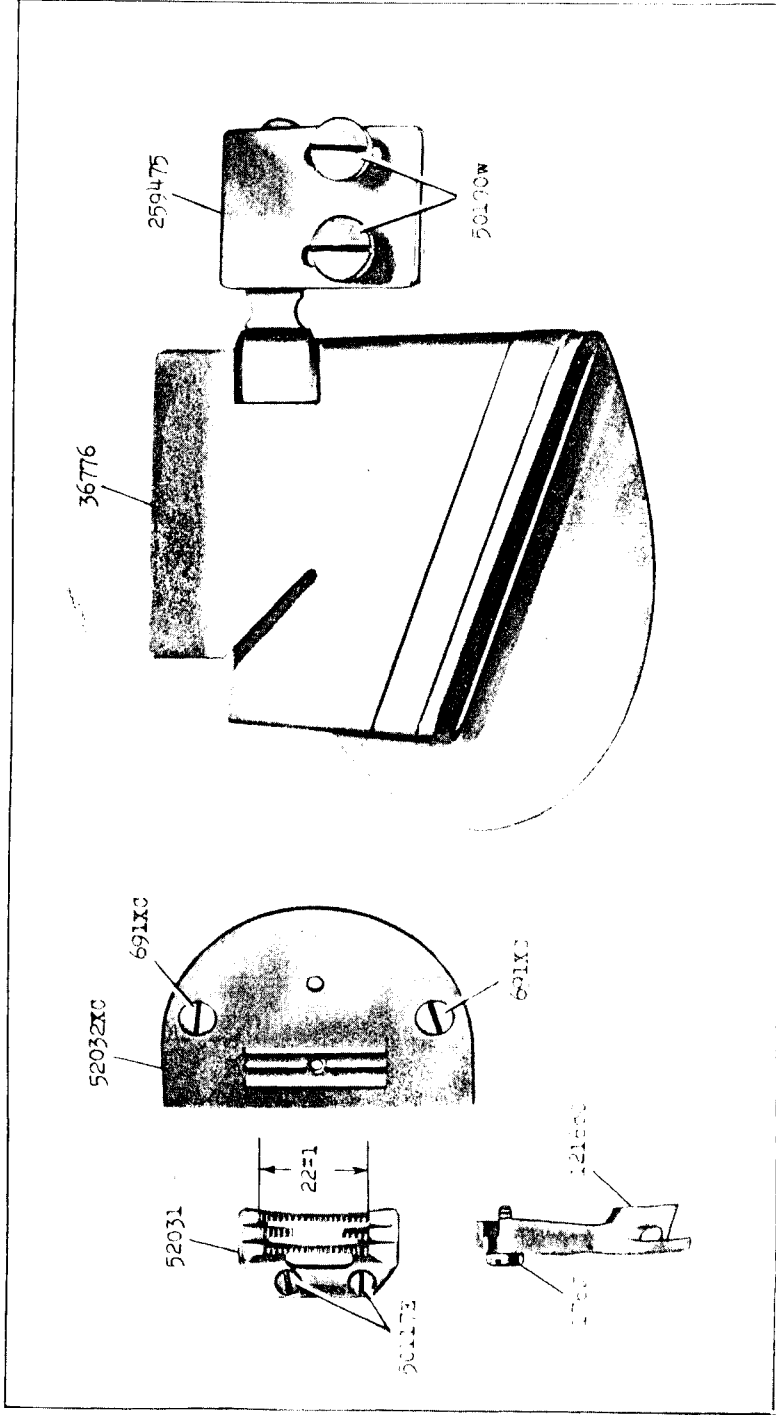
3502310

228370

228364

3502310

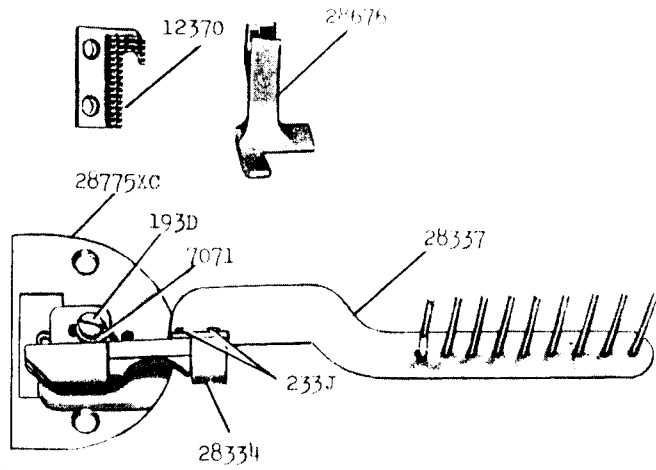
From the library of: Diamond Needle Corp



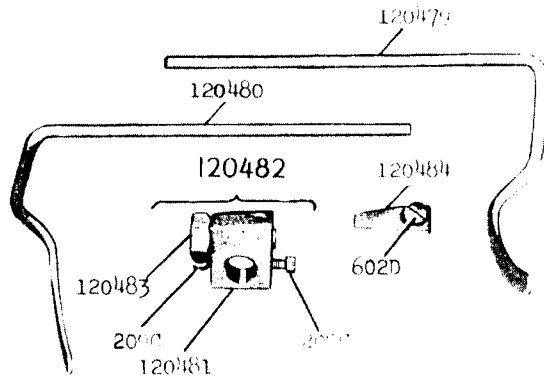
From the library of: Diamond Needle

18320 - 1/2

28776



120485



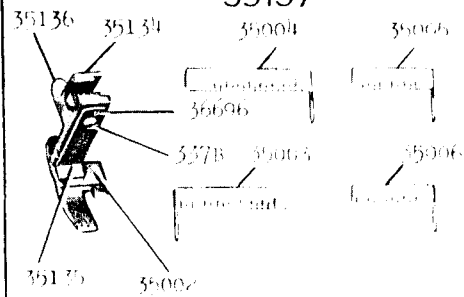
27003



259084

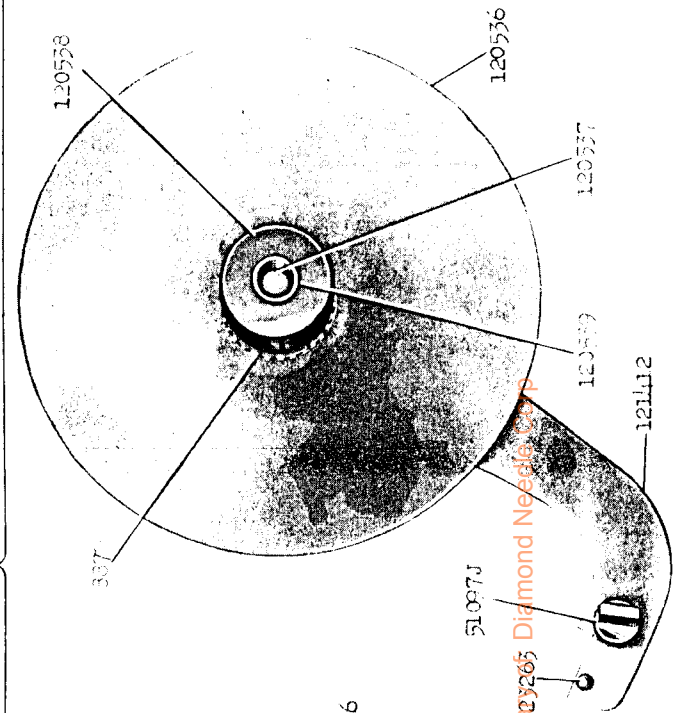


35137

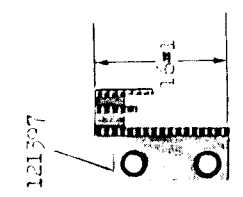
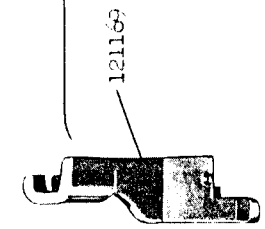
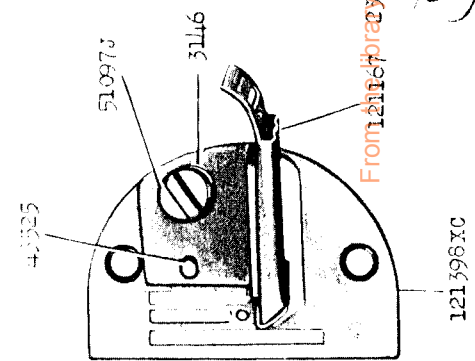


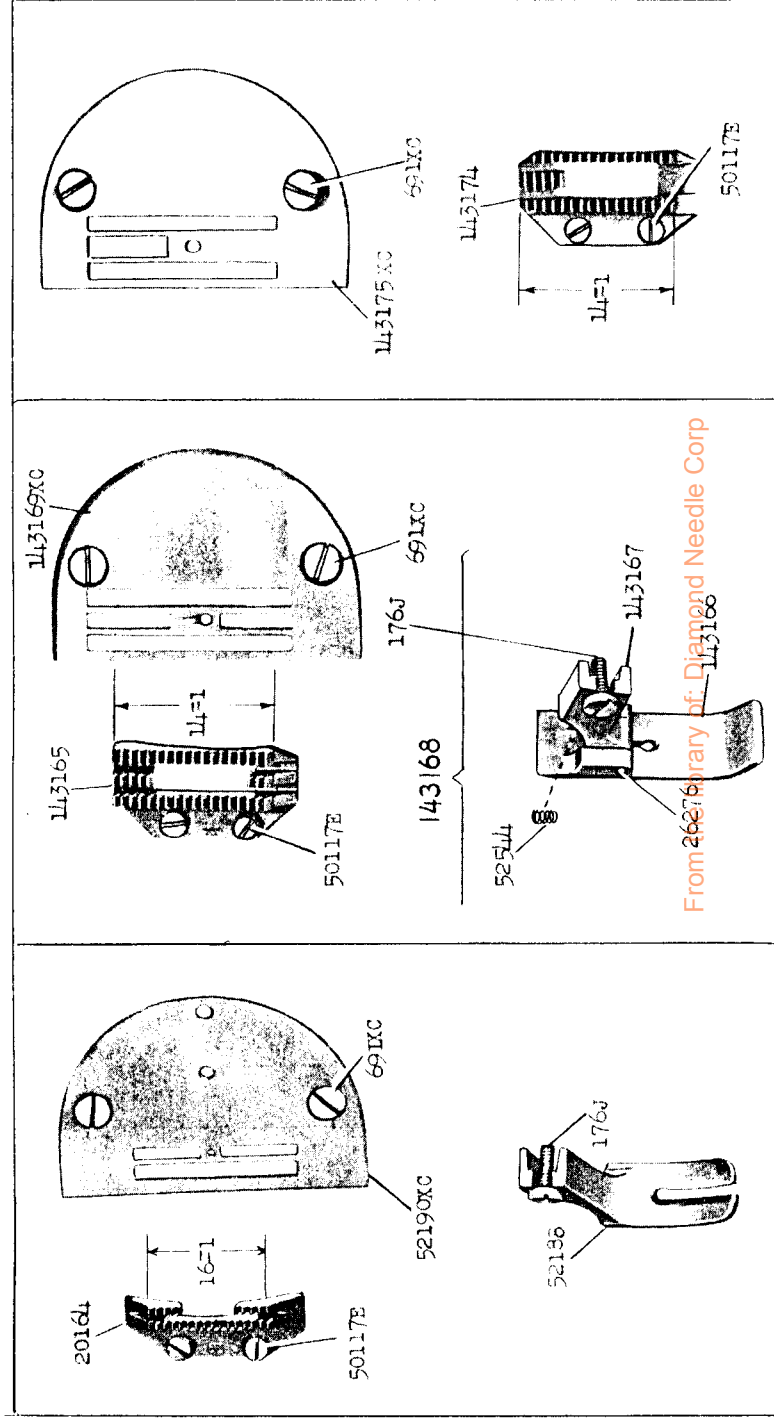
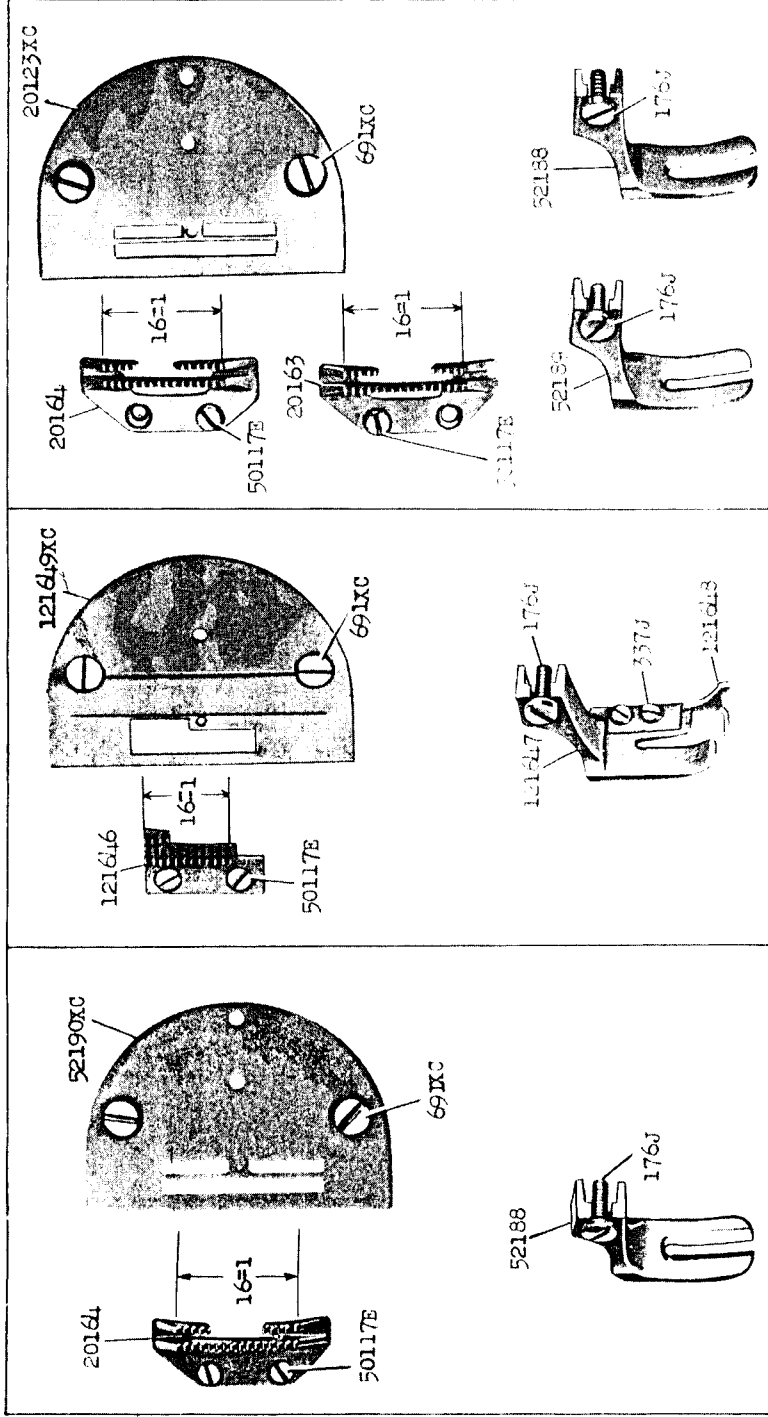
22919 - 2/3

121168

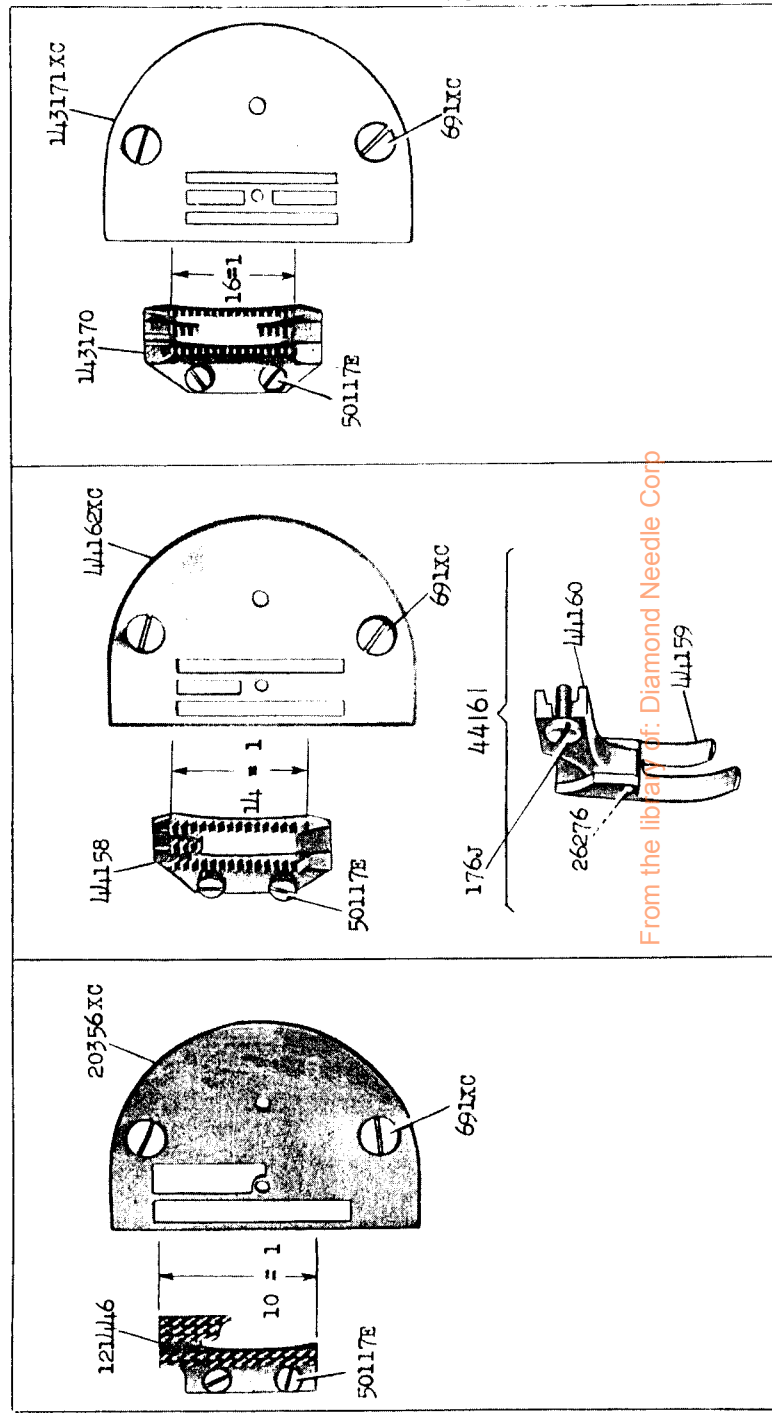
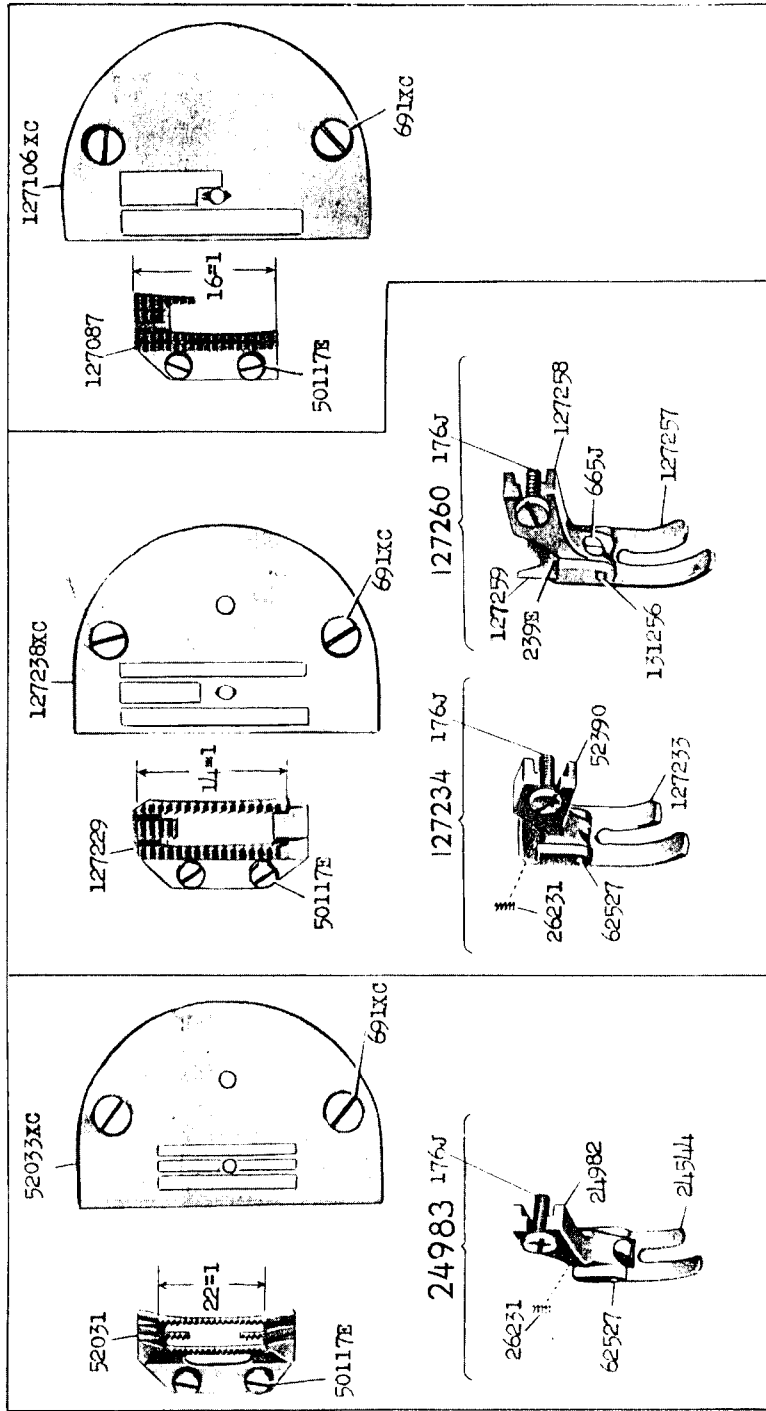


From 121168 to 2265 Diamond Needle 2265

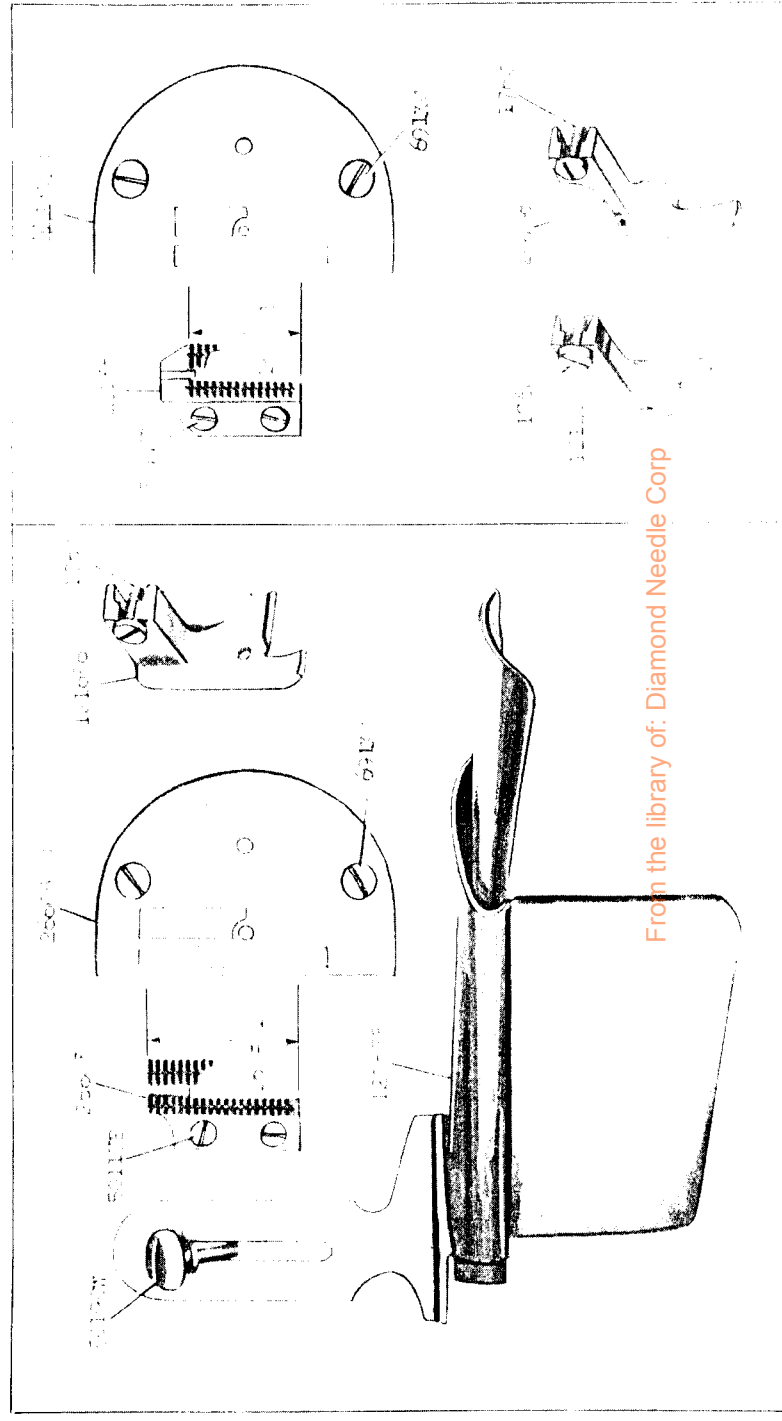
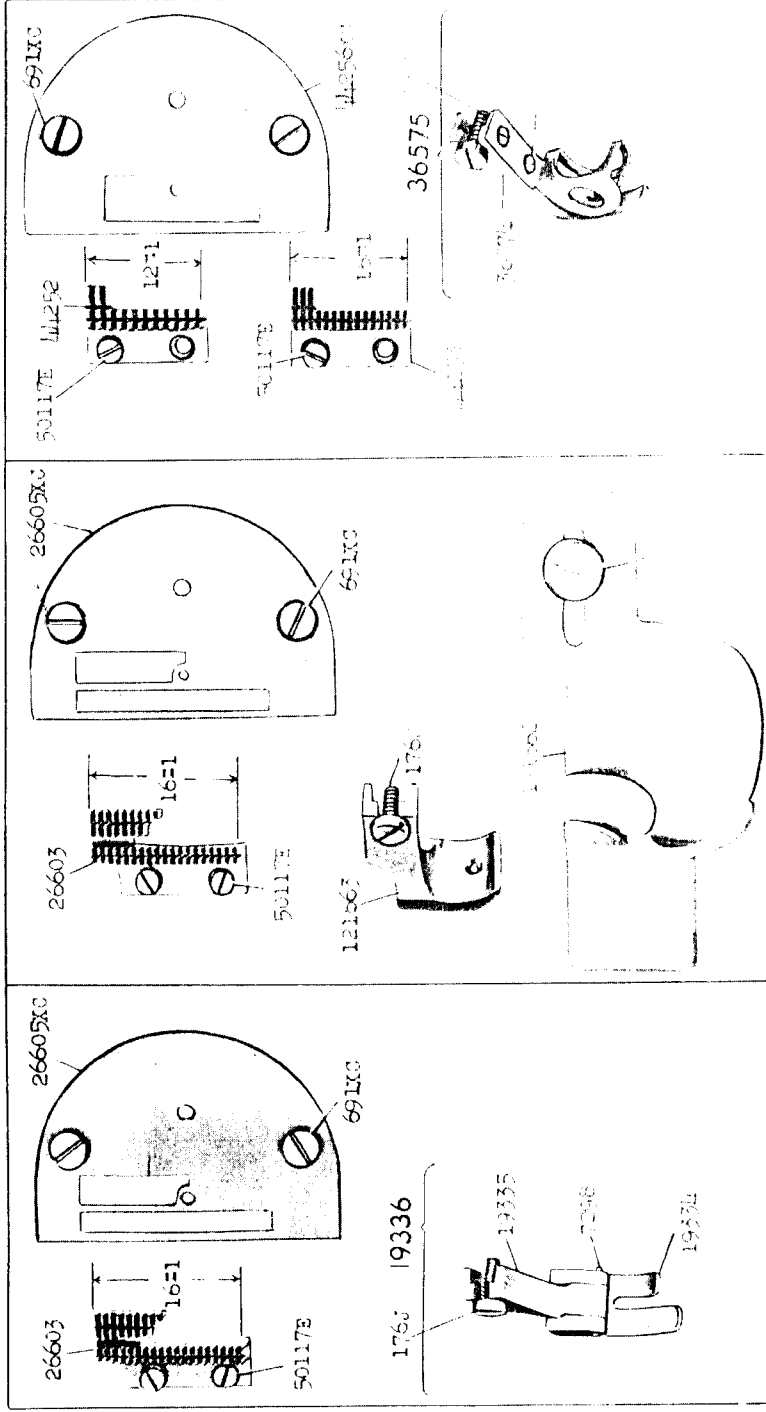




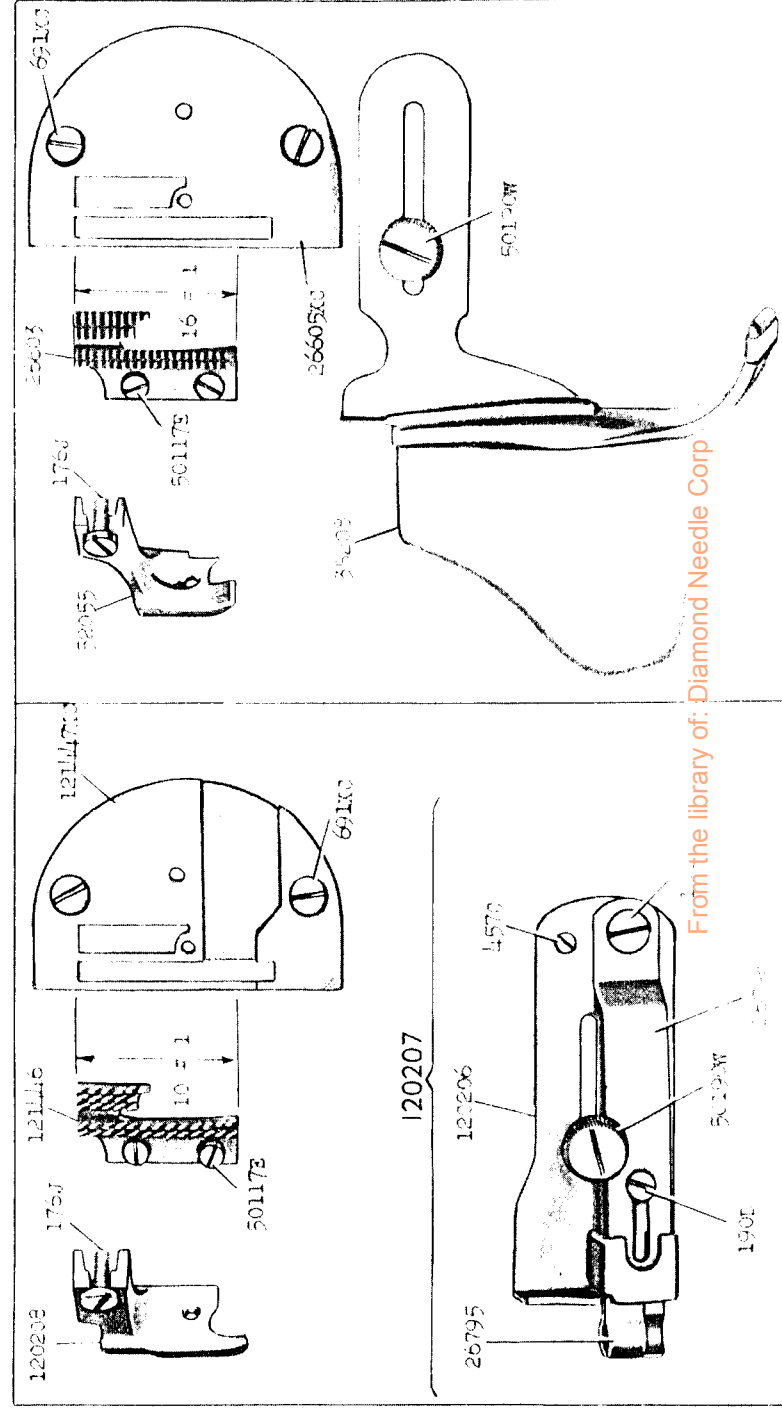
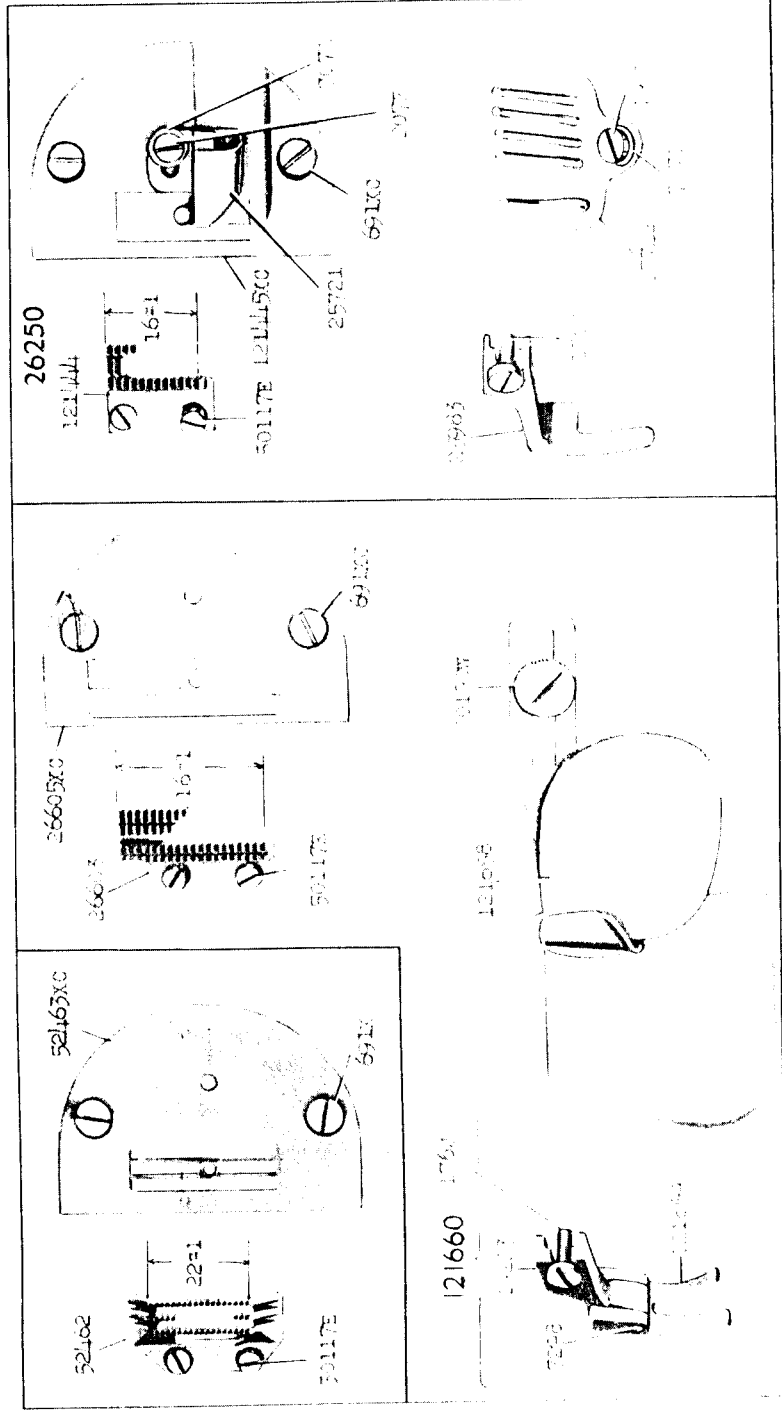
From the library of: Diamond Needle Corp



From the library of: Diamond Needle Corp

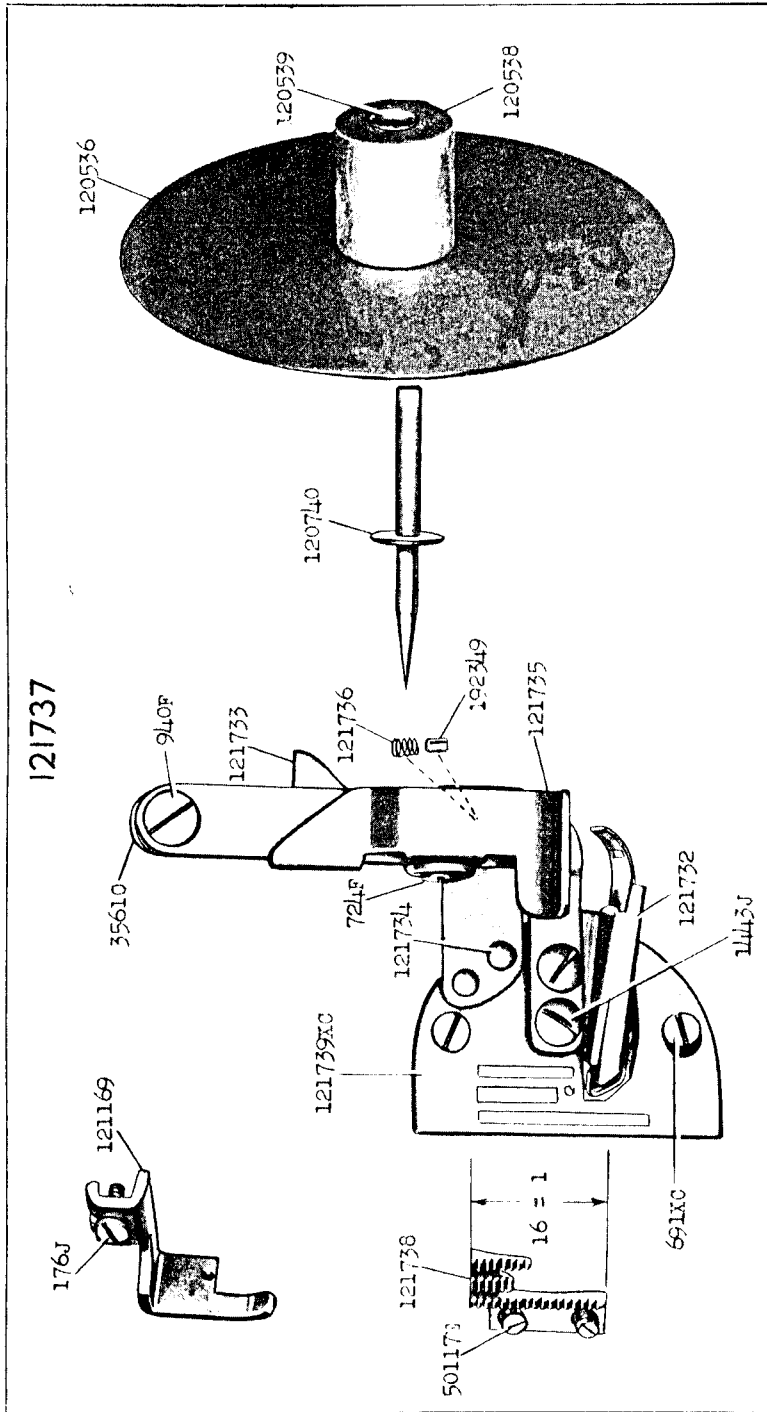


From the library of: Diamond Needle Corp



From the library of: Diamond Needle Corp

23229 - 2/3



23230 - 2/3

